



TECHNICAL CHARACTERISTICS:

- Microprocessor controller with LCD screen.
- Inverter-modulated air flow according to required output.
- Self-adjusting Dew Point control for process optimisation.
- PID electronic process temperature control
- Daily/Weekly scheduler.
- Regeneration temperature control according to the required dew point.
- Material anti-stress function.
- Standard/Custom materials database.
- ModBus RTU/TCP interface.

ACCESSORIES:

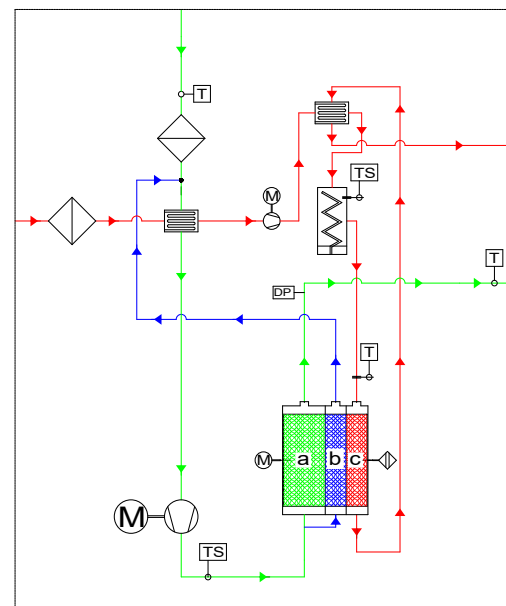
- Dew point meter.
- 7" Colour touch screen.

The DW Series desiccant dryers with rotor technology offer high performance levels in the drying field and maximum efficiency and operating versatility.

The DW models maintain a constant Dew Point value of between -25°C and -50°C , with flow rates from 100 to 1000 m^3/h .

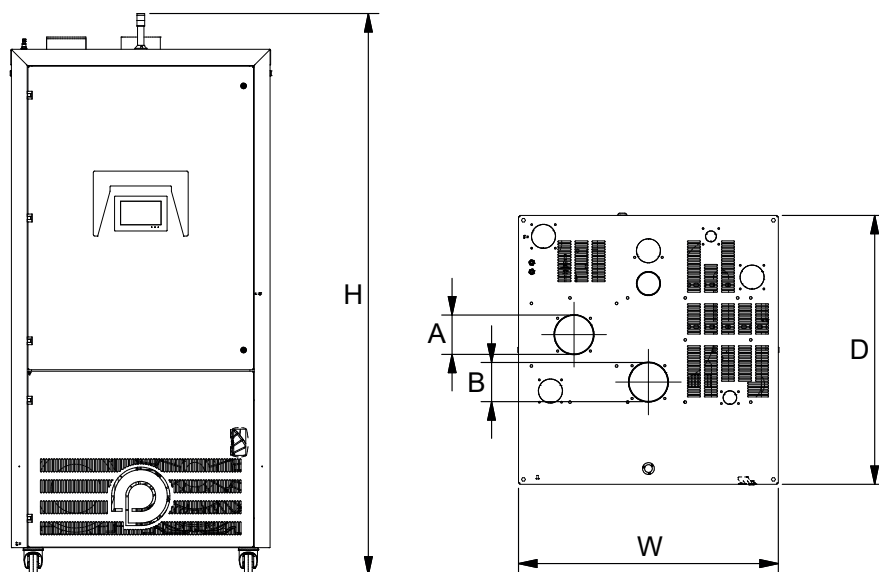
The process temperature can be set to up to 150°C in each hopper.

Available pairing with a wide range of hoppers with capacities of 100 to 2000l.



ADDED VALUE:

- **ENERGY EFFICIENCY**
Energy consumption represents the main cost during the life cycle of a machine, so the right choice makes for a quick return on the investment and a higher margin on the finished product. The most innovative desiccant dehumidification technology: energy saving and environmental protection.
- **OPTIMISATION**
Easy programming with only two parameters: type of material (selectable from the database) and hourly consumption. It is up and running in just 3 minutes. Does not require water or compressed air.
- **AIRFLOW MANAGEMENT**
Does not release dust, ideal for the medical and optical fields.
- **MULTI-HOPPER DRYING**
Ready for multi-hopper drying (with up to 10 hoppers).



Technical data

	Unit of measure	DW300	DW400	DW600	DW1000
Air flow rate	m ³ /h	100÷300	130÷400	200÷600	300÷1000
Process temperature	°C	60	60	60	60
Dew point	°C	-25 ÷ -50	-25 ÷ -50	-25 ÷ -50	-25 ÷ -50
Process blower power	kW	3	4	5,5	8,5
Regeneration blower power	kW	0,4	1,5	1,5	1,5
Regeneration heating power	kW	3,5	5	9	9
Total installed power	kW	6,0	10,5	16,0	19,0
Voltage/Frequency	V/Hz	400/50-60	400/50-60	400/50-60	400/50-60
Air connectors (A-B)	mm	Ø89	Ø150	Ø150	Ø150
Dimensions WxDxH	mm	990x1030x2140			
Weight	kg	320	400	450	500

Couplings with hopper n°	H100	H150	H200	H300	H400	H600	H800	H1200	H1500	H2000
DW300	8	6	4	3	2	1	-	-	-	-
DW400	8	6	6	4	3	2	1	-	-	-
DW600	10	10	8	5	4	2	2	1	1	-
DW1000	10	10	8	6	6	4	3	2	1	1